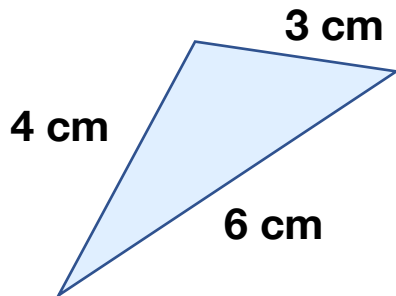


Perimeter of Irregular Shapes

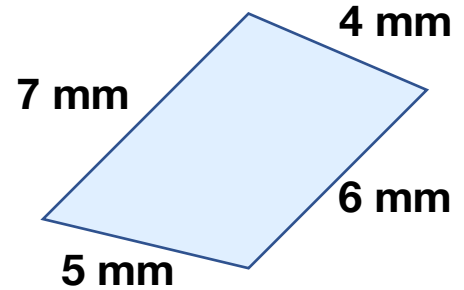
Calculate the perimeters of the following irregular shapes

a)



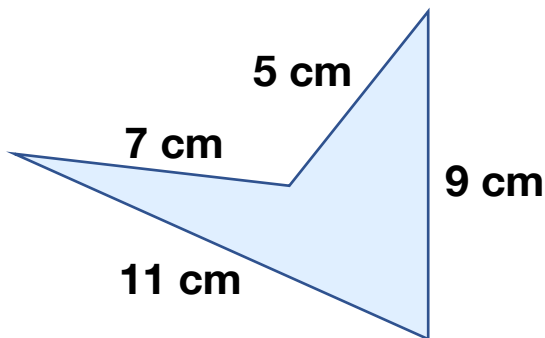
Perimeter =

b)



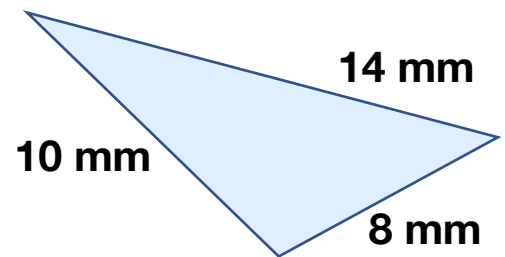
Perimeter =

c)



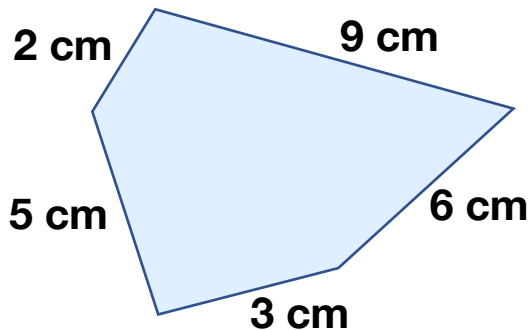
Perimeter =

d)



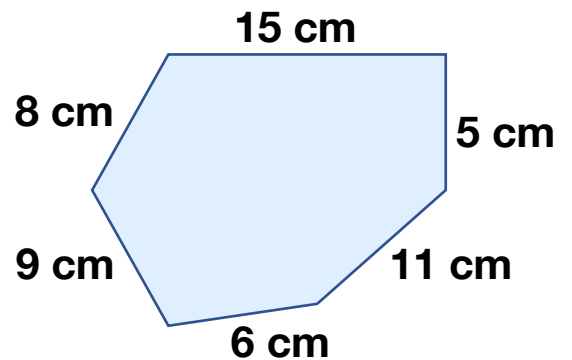
Perimeter =

e)



Perimeter =

f)



Perimeter =